

Mixer Tap Omega Plus Gun Metal

Mixer Taps

Code: 8498 856



DETAILS

Mixer type Single lever mixer tap with rotating barrel and extractable shower head.

Coloring Gun Metal

Finish PVD

Material Brass

Texture Chromed

Rotating angle 360°

Strengthening plate ø50 mm

Cartridge With ceramic discs

Mixer hole ø35 mm

Rear encumbrance 35mm

Max worktop thickness 40 mm

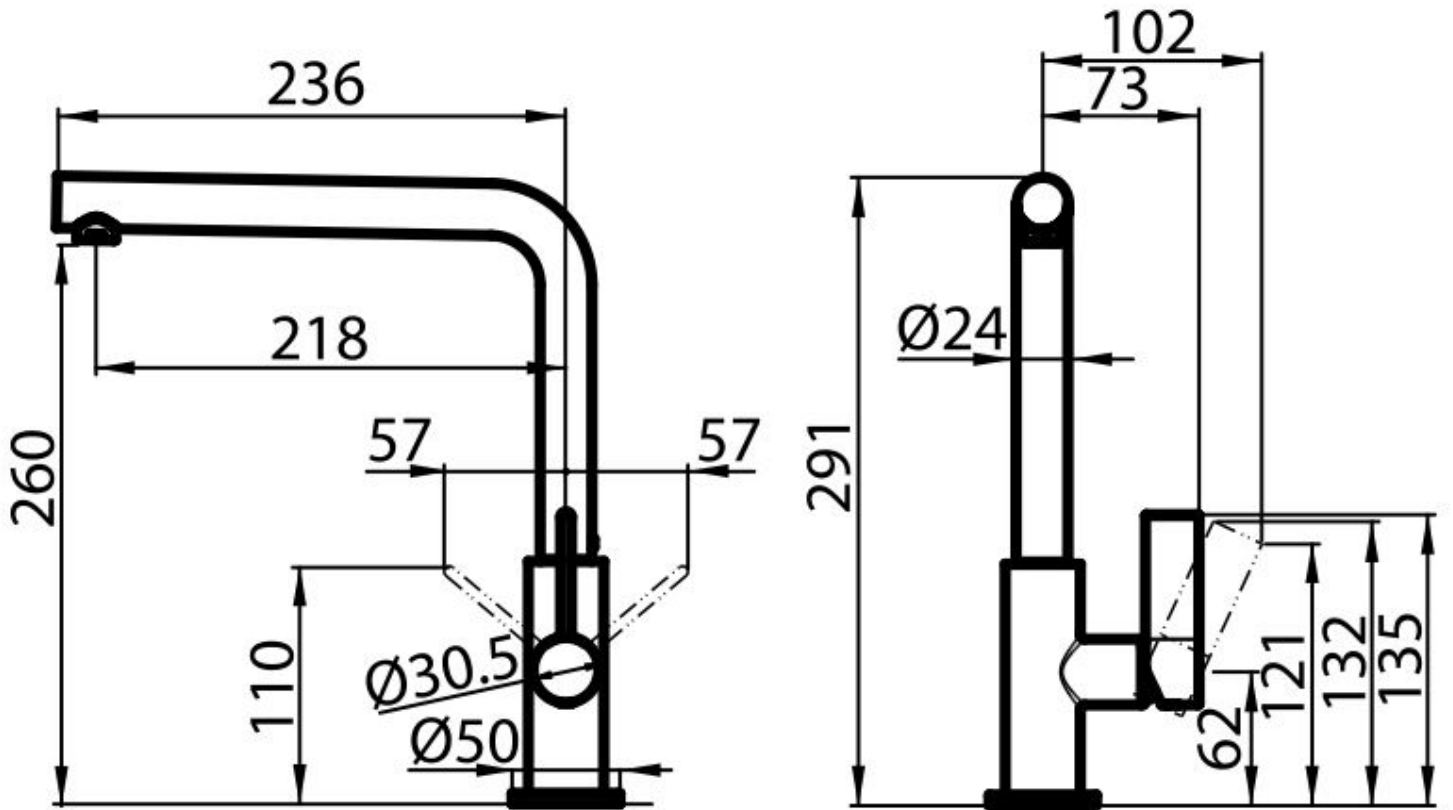
FEATURES

Extractable head The head of the tap is extractable, in order to easily reach any area of the sink.

Rotating angle All the taps have a wide angle of rotation. Some models even permit a full 360° rotation.

Strengthening plate Foster's mixer taps are equipped with the strengthening plate that offers perfect stability on any sink.

TECHNICAL DATA



GALLERY

